

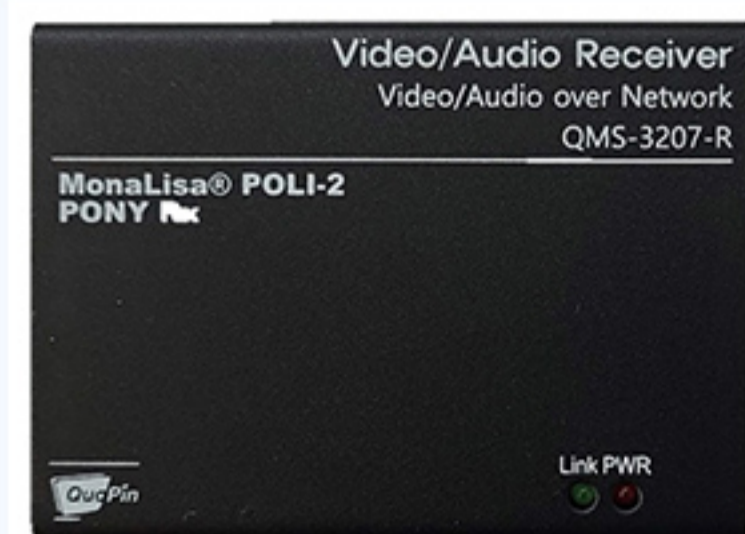
# REAL-TIME VIDEO OVER 5G/LTE/INTERNET

MonaLisa®-POLI: QMS-3207/3405

## Ultra-Low Latency Video Transmission



Transmitter

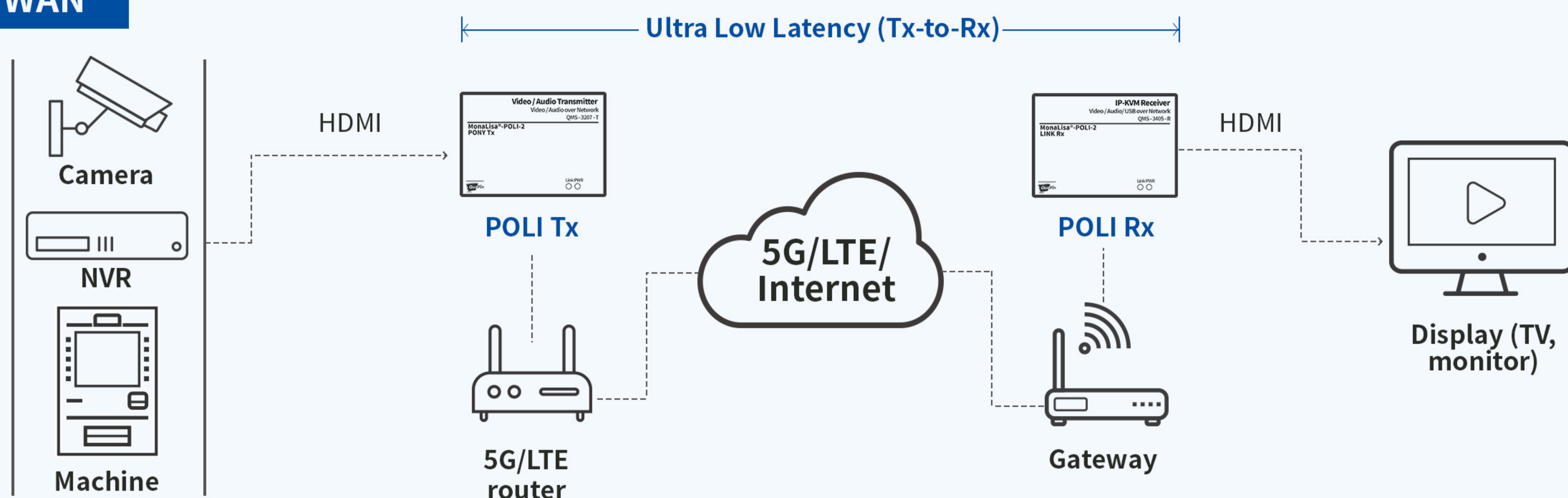


Receiver

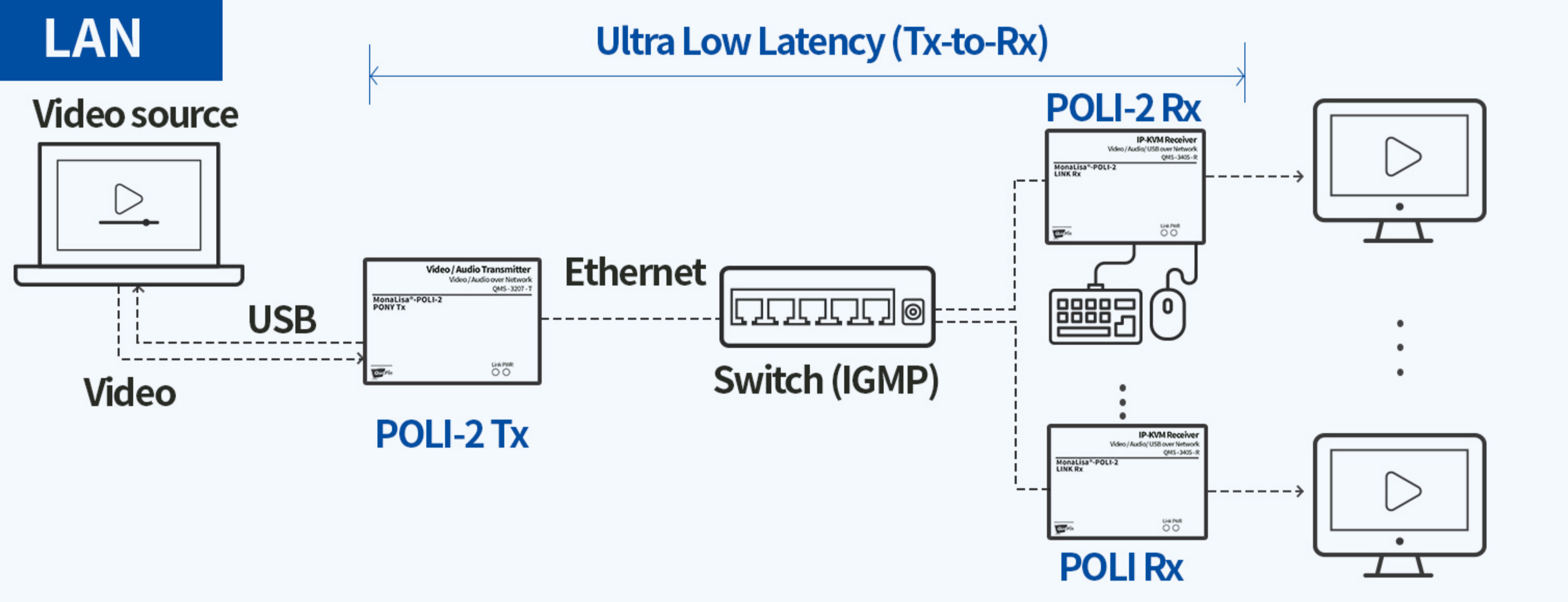
MonaLisa®-POLI

- Security Surveillance
  - CCTV camera, NVR
- Digital Signage
- Smart Factory – machine control/monitoring

### WAN



### LAN



- Low power
- Ultra low latency
  - LAN 50~80msec;
  - WAN (80+α)msec
- Compact size (in mm)
  - (L) 88 x (W) 64 x (H) 27
- Resolution: Up to Full-HD
- 1:N multicasting (LAN), 1:1 (WAN)

Specifications	POLI (QMS-3207)	POLI-2 (QMS-3405)
Video/Audio Interface		
USB over IP (Keyboard /mouse)	-	o
Network Interface	Fast Ethernet	Fast Ethernet
Power Consumption	Tx 2.0W, Rx 1.8W	Tx 2.2W, Rx 1.85W
Power Supply	5V DC / USB (OTG)	5V DC / USB (OTG)
Dimension (mm)	88(L)*64(W)*27(H)	88(L)*64(W)*27(H)
Bitrate	CBR, VBR, D-ABR(dynamic auto-bitrate)	CBR, VBR, D-ABR(dynamic auto-bitrate)
Applied Network	LAN, WLAN	WAN, 5G/LTE, WLAN